

Versa-Rail™

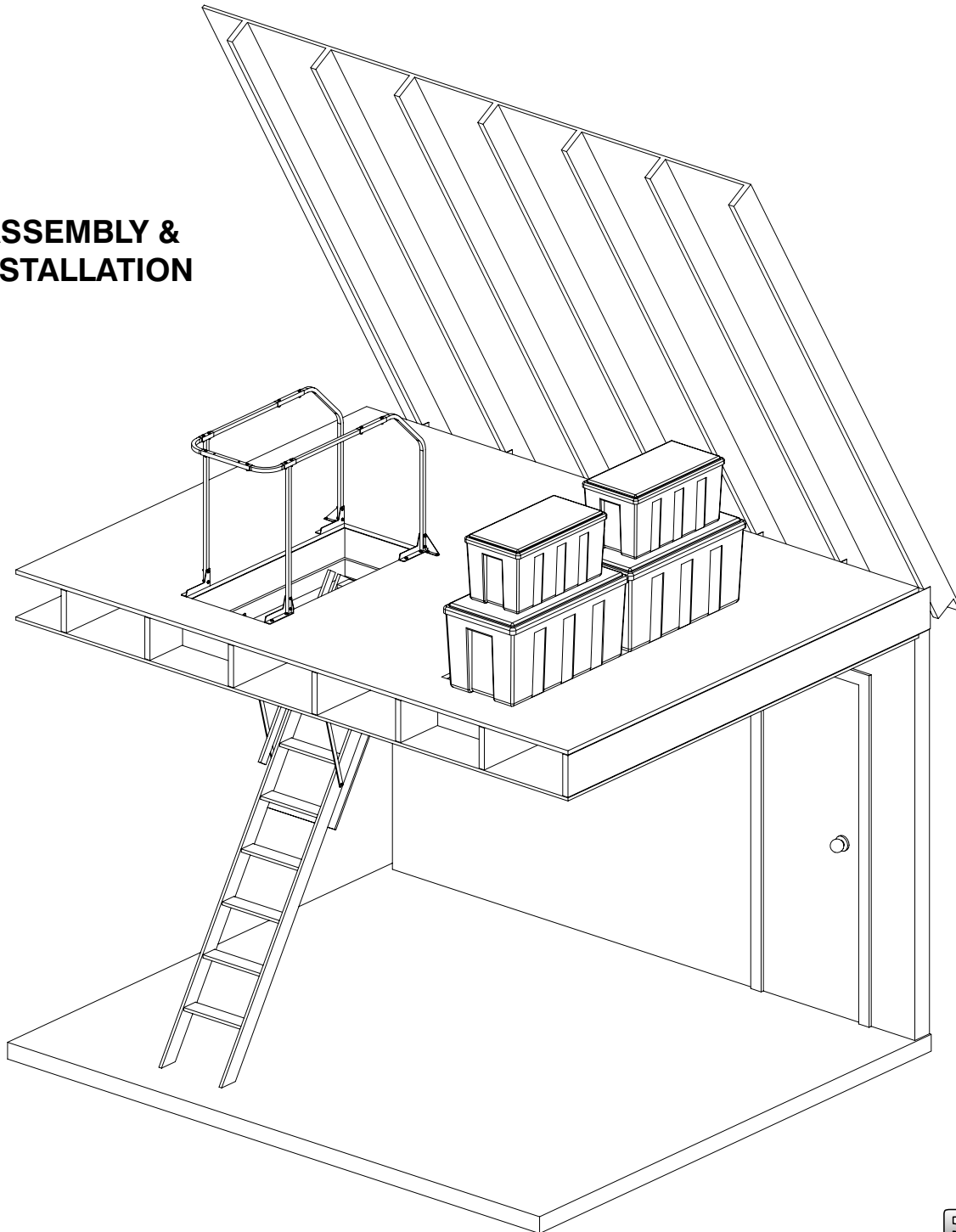
Patent Pending

Model 60

Stairwell Safety Railing

INSTALLATION GUIDE

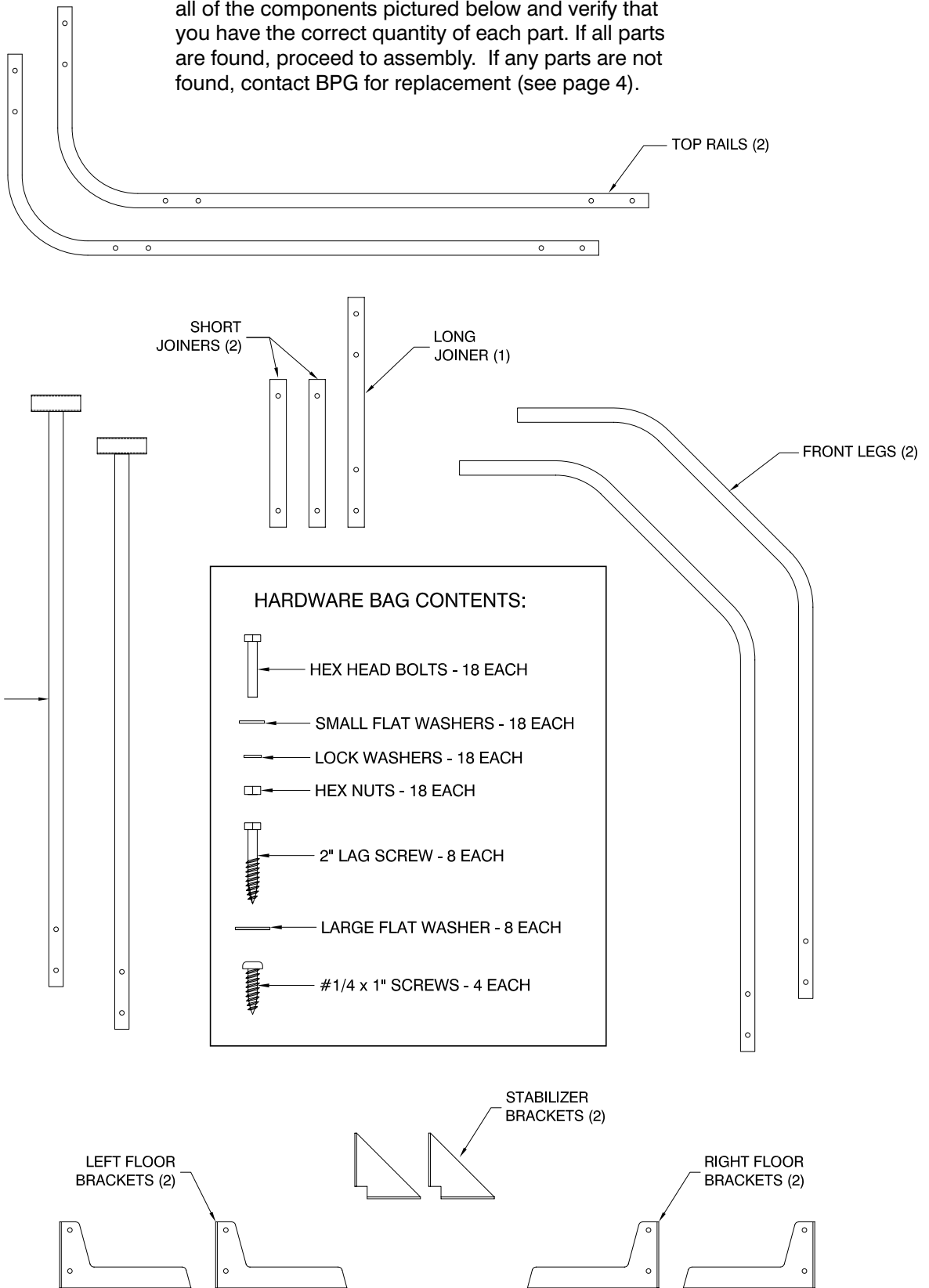
**ASSEMBLY &
INSTALLATION**



Versa-Rail PARTS GUIDE

Shipping Carton Contents:

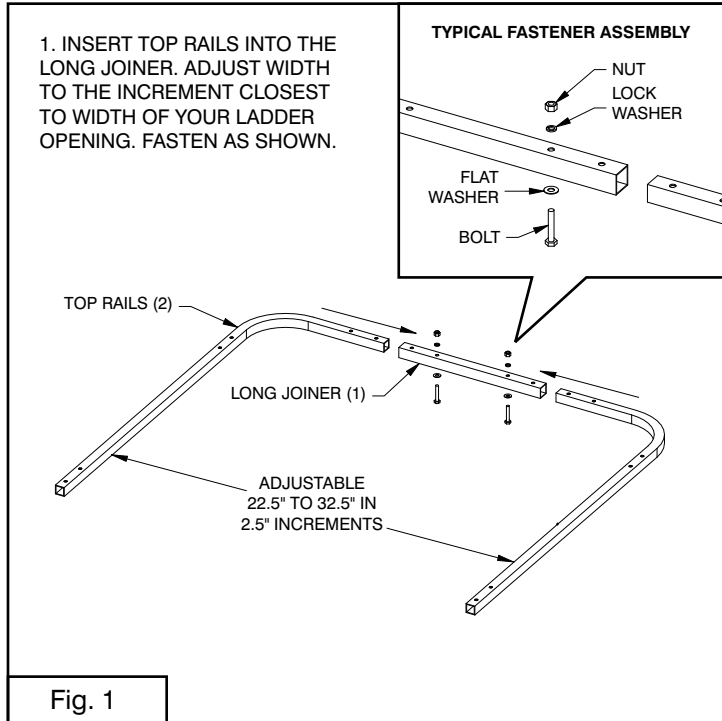
Unpack your Versa-Rail shipping carton and locate all of the components pictured below and verify that you have the correct quantity of each part. If all parts are found, proceed to assembly. If any parts are not found, contact BPG for replacement (see page 4).



ASSEMBLY & INSTALLATION: It is recommended that you assemble the Versa-Rail in the attic. You will need wrenches to tighten bolts, a pencil to mark hole locations, and a drill with a 5/32" drill bit for making pilot holes for the lag screws.

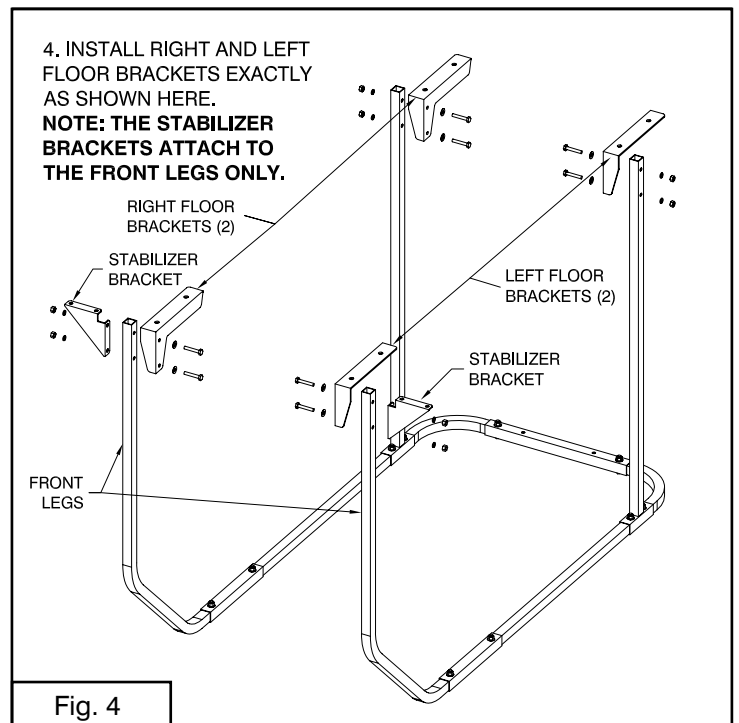
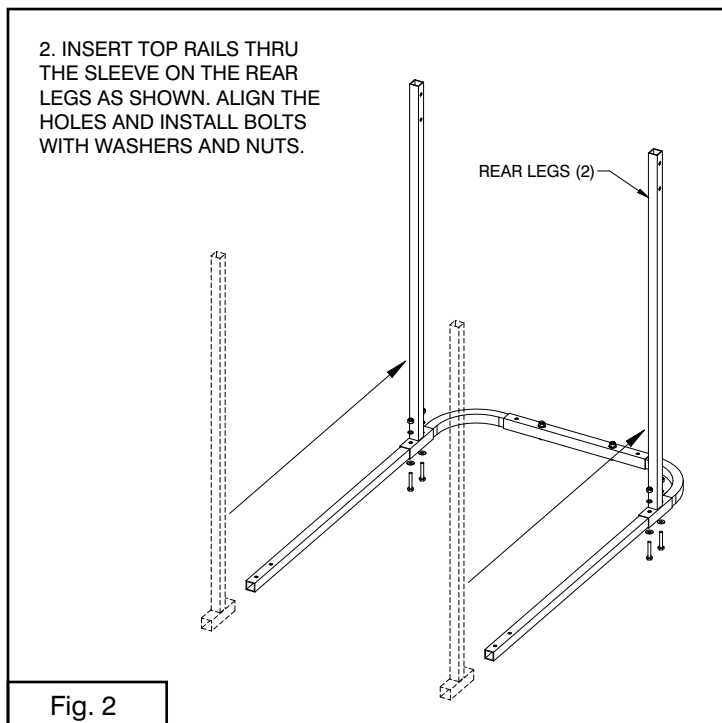
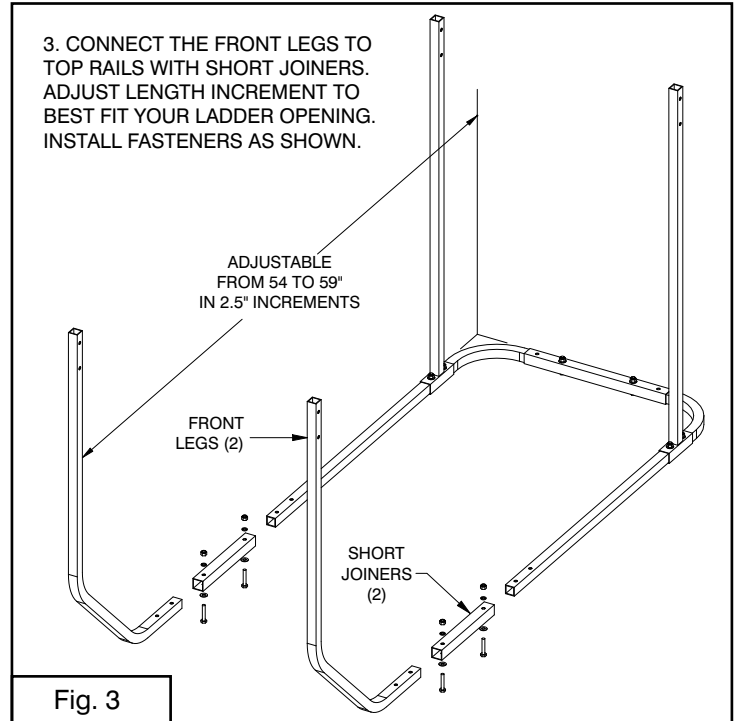
1. Assemble the top rails into the long joiner. Adjust the hole positions to best fit your ladder opening width (Fig. 1). Install bolts, washers and nuts as shown, but do not tighten.

2. Assemble the rear legs onto the top rails (Fig. 2). Install bolts, washers and nuts as shown, but do not tighten.



3. Connect the front legs to the top rails with the short joiners. Adjust the hole positions to best fit your ladder opening length (Fig. 3). Install bolts, washers and nuts as shown, but do not tighten.

4. Install the floor brackets onto the inside of the rear legs (Fig. 4). Install the stabilizer brackets onto the outside of the front legs and the floor brackets onto the inside using the same bolts. Orient the brackets exactly as shown in Fig. 4. Install bolts, washers and nuts as shown, but don't tighten.

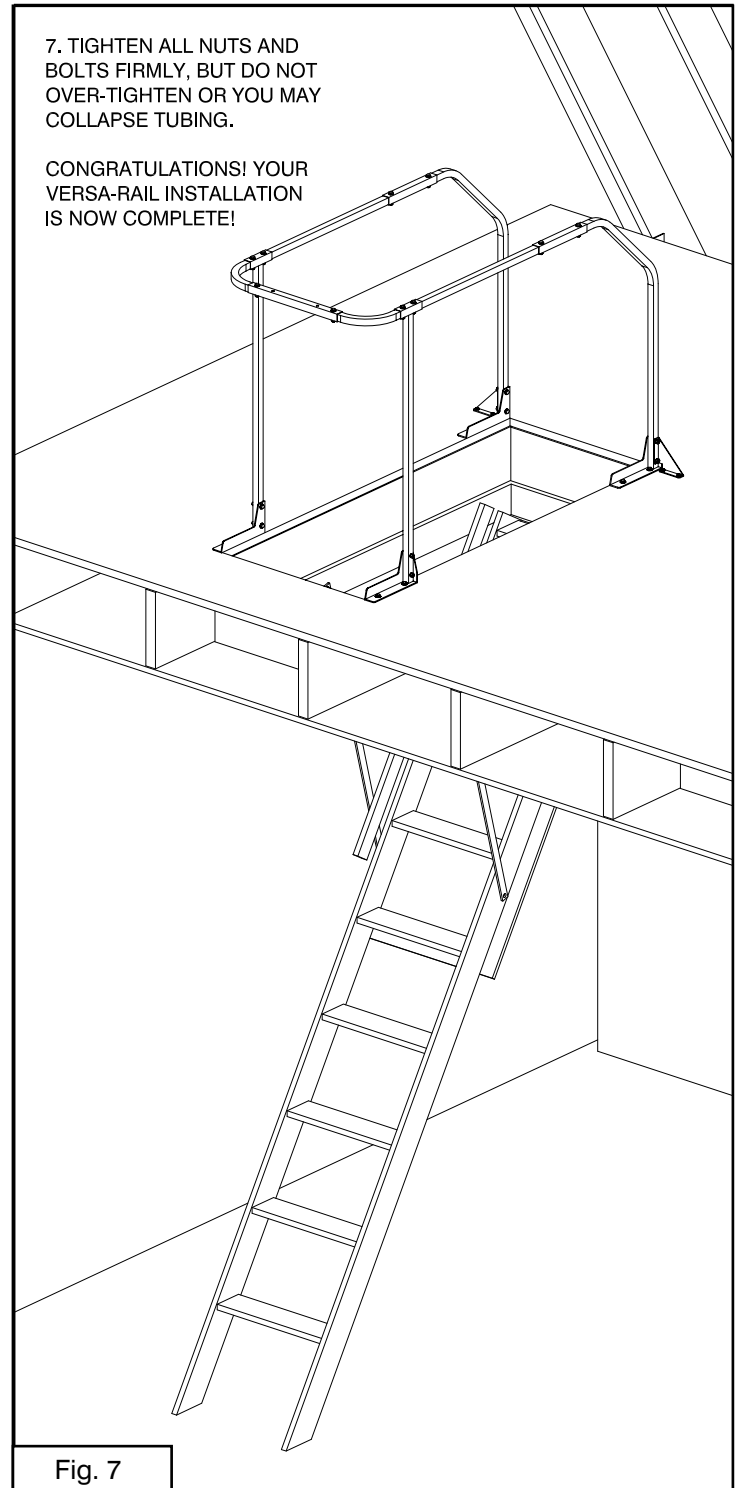
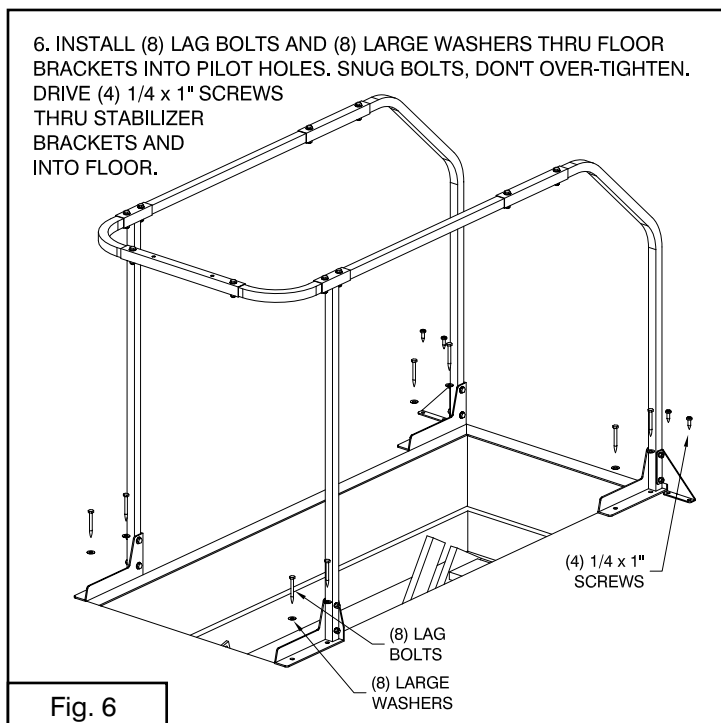
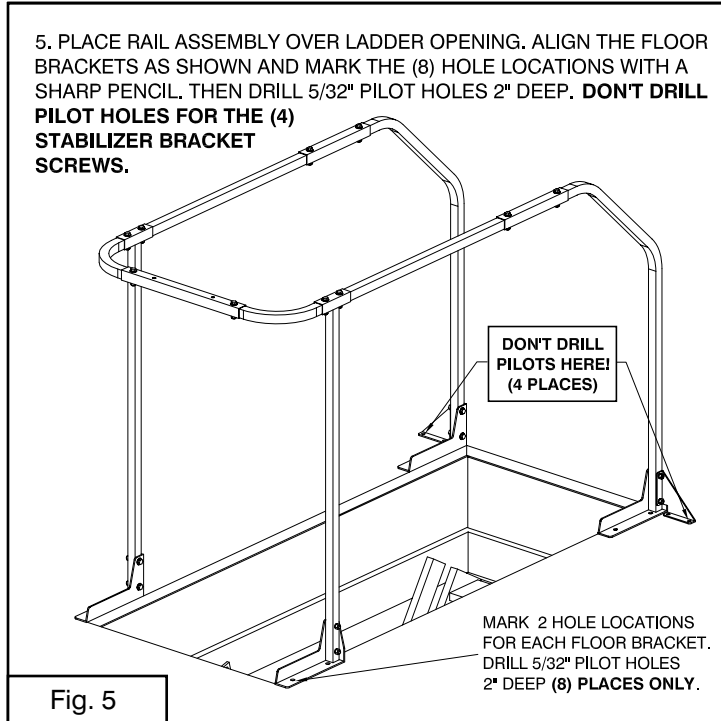


Versa-Rail INSTALLATION GUIDE

5. Place the rail assembly over the ladder opening. Align the brackets as shown and mark the hole locations for the floor brackets (Fig. 5), then drill $5/32"$ pilot holes at each location $x 2"$ deep. Note: Do not drill pilot holes for the stabilizer brackets

6. Install the lag screws through the floor bracket and into the pilot holes (Fig. 6). Tighten firmly, but don't over-tighten. Drive $1/4 x 1"$ screws thru the stabilizer brackets into the floor using a phillips driver and tighten snug.

7. Now tighten all of the nuts and bolts used to assemble the Versa-Rail. Do not over-tighten or you will collapse the tubing walls. Congratulations, your installation is now completed. Your attic will now be a safer place to visit!



BPG
Byers Products Group

P. O. Box 270366
OKC City, OK 73137
Ph: 405-491-8550
Fax: 405-491-0180
www.bpghome.com